

**SPECIFICATIONS**

Type: 6" x 8" \ 5" x 7"

2-Way  
 Custom Fit

Impedance: 2 Ohms

Power Handling, RMS: 60W  
 Power Handling, Peak: 180W

Frequency Response: 49Hz - 21kHz  
 Sensitivity (2.83V, 1m): 93dB

**WARRANTY:** Reference Series speakers are warranted against defects. The duration of the speaker's warranty depends on the laws in the country in which it was purchased. Your local Infinity car audio retailer can help you determine the length of your warranty. To register your product, please visit us at [www.infinitysystems.com](http://www.infinitysystems.com).

**SPECIFICATIONS**

Type: 6" x 8" \ 5" x 7"

2-Way  
 Custom Fit

Impedance: 2 Ohms

Power Handling, RMS: 60W  
 Power Handling, Peak: 180W

Frequency Response: 49Hz - 21kHz  
 Sensitivity (2.83V, 1m): 93dB

**WARRANTY:** Reference Series speakers are warranted against defects. The duration of the speaker's warranty depends on the laws in the country in which it was purchased. Your local Infinity car audio retailer can help you determine the length of your warranty. To register your product, please visit us at [www.infinitysystems.com](http://www.infinitysystems.com).

**SPECIFICATIONS**

Type: 6" x 8" \ 5" x 7"

2-Way  
 Custom Fit

Impedance: 2 Ohms

Power Handling, RMS: 60W  
 Power Handling, Peak: 180W

Frequency Response: 49Hz - 21kHz  
 Sensitivity (2.83V, 1m): 93dB

**WARRANTY:** Reference Series speakers are warranted against defects. The duration of the speaker's warranty depends on the laws in the country in which it was purchased. Your local Infinity car audio retailer can help you determine the length of your warranty. To register your product, please visit us at [www.infinitysystems.com](http://www.infinitysystems.com).

BL (T-m)	4.80
DGR (ohms)	2.30
Mms (g)	18.03
Sd (sq cm)	178.1
Cms (µm/N)	178
Vas (l)	7.93
Fs (Hz)	88.8
Qes	1.00
Qms	5.95
Qt	0.86

Designed and engineered in the USA. Conception et design aux É.U.A.  
 A valid serial number is required for warranty coverage. Un numéro de série valable est exigé pour la couverture de la garantie.  
 Features, specifications and appearance are subject to change without notice.  
 Les dispositifs, les caractéristiques et l'aspect sont sujets au changement sans communication préalable.  
 Harman Consumer Group, Inc., 250 Crossways Park Drive, Woodbury, NY 11797 USA  
[www.infinitysystems.com](http://www.infinitysystems.com)  
 © 2009 Harman International Industries, Incorporated. All rights reserved. Tous droits réservés. • Part No. REF68320M1/09  
 Infinity is a trademark of Harman International Industries, Incorporated, registered in the United States and/or other countries.  
 Infinity est une marque commerciale de Harman International Industries, Incorporated, déposée aux États-Unis et/ou dans d'autres pays.

Declaration of Conformity

**CE**

We, Harman Consumer Group, Inc.  
 2, route de Tours  
 72500 Château du Loir  
 France

declare in own responsibility that the product described in this owner's manual is in compliance with technical standards:

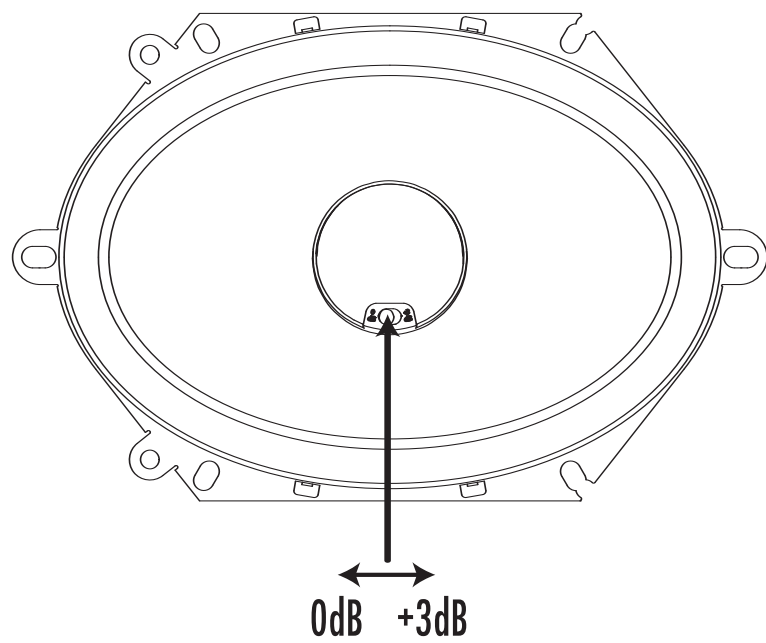
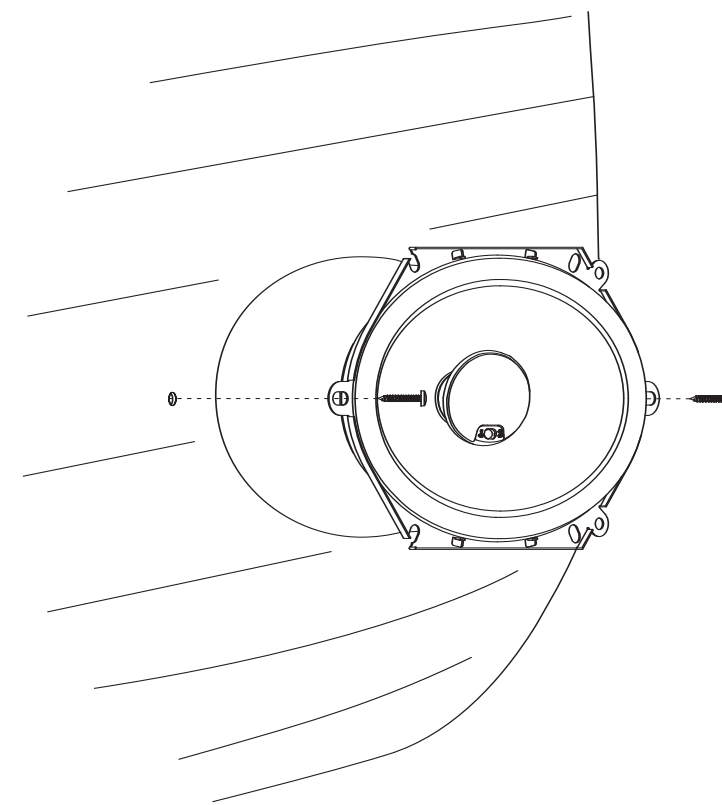
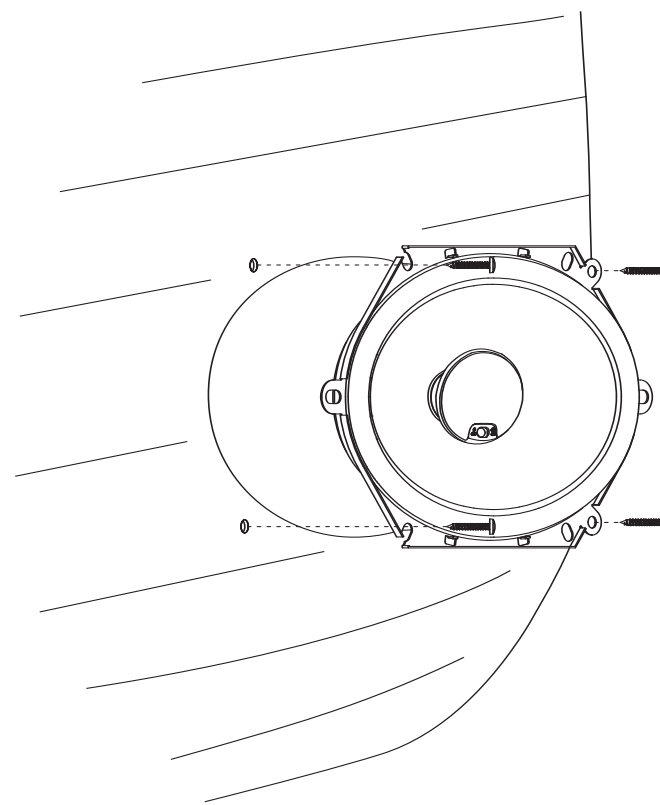
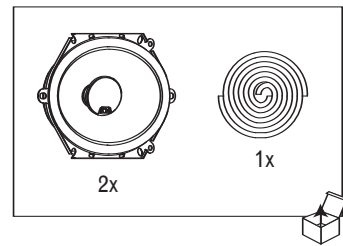
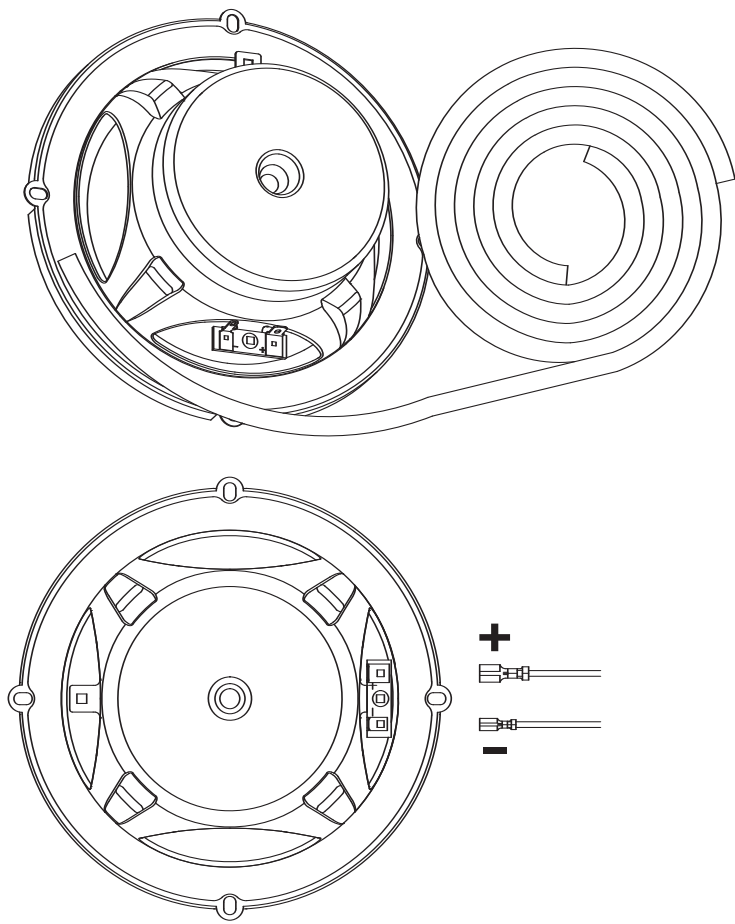
EN 61000-6-3:2001  
 EN 61000-6-1:2001

Klaus Leberz  
 Harman Consumer Group, Inc.  
 Château du Loir, France 1/09



REFERENCE 6832cf





**TWEETER-LEVEL CONTROL**

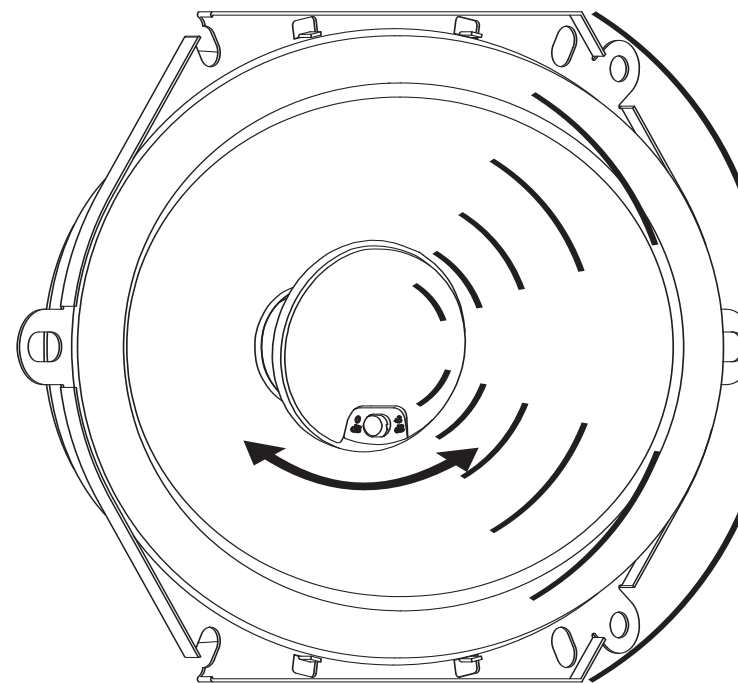
This speaker system is equipped with a tweeter-level switch. The normal setting for this switch is the "0dB" position, which provides an apparently "flat" response. Tweeter output may be increased according to the user's preference, or to compensate for off-axis placement (where the speaker does not directly face the listening position), by setting the switch to the "+3dB" position.

**TWEETER-LEVEL CONTROL**

This speaker system is equipped with a tweeter-level switch. The normal setting for this switch is the "0dB" position, which provides an apparently "flat" response. Tweeter output may be increased according to the user's preference, or to compensate for off-axis placement (where the speaker does not directly face the listening position), by setting the switch to the "+3dB" position.

**TWEETER-LEVEL CONTROL**

This speaker system is equipped with a tweeter-level switch. The normal setting for this switch is the "0dB" position, which provides an apparently "flat" response. Tweeter output may be increased according to the user's preference, or to compensate for off-axis placement (where the speaker does not directly face the listening position), by setting the switch to the "+3dB" position.



**ROTATING TWEETER**

The Reference 6832cf includes a rotating, angled tweeter mount, which is designed to allow the tweeter to be aimed toward the listening position. Since the tweeter's output becomes directional at extremely high frequencies, aiming the tweeter toward the listening position will improve high-frequency response and stereo imaging. *Before securing the grille*, grasp the tweeter housing around the edge and rotate the tweeter assembly so that the tweeter faces the listener as directly as possible. Then the grille may be permanently secured.

**ROTATING TWEETER**

The Reference 6832cf includes a rotating, angled tweeter mount, which is designed to allow the tweeter to be aimed toward the listening position. Since the tweeter's output becomes directional at extremely high frequencies, aiming the tweeter toward the listening position will improve high-frequency response and stereo imaging. *Before securing the grille*, grasp the tweeter housing around the edge and rotate the tweeter assembly so that the tweeter faces the listener as directly as possible. Then the grille may be permanently secured.

**ROTATING TWEETER**

The Reference 6832cf includes a rotating, angled tweeter mount, which is designed to allow the tweeter to be aimed toward the listening position. Since the tweeter's output becomes directional at extremely high frequencies, aiming the tweeter toward the listening position will improve high-frequency response and stereo imaging. *Before securing the grille*, grasp the tweeter housing around the edge and rotate the tweeter assembly so that the tweeter faces the listener as directly as possible. Then the grille may be permanently secured.